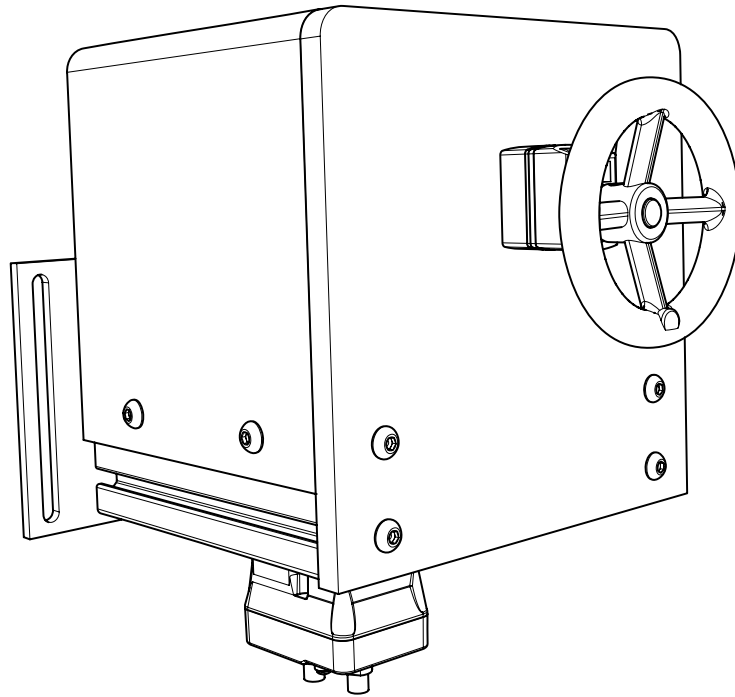
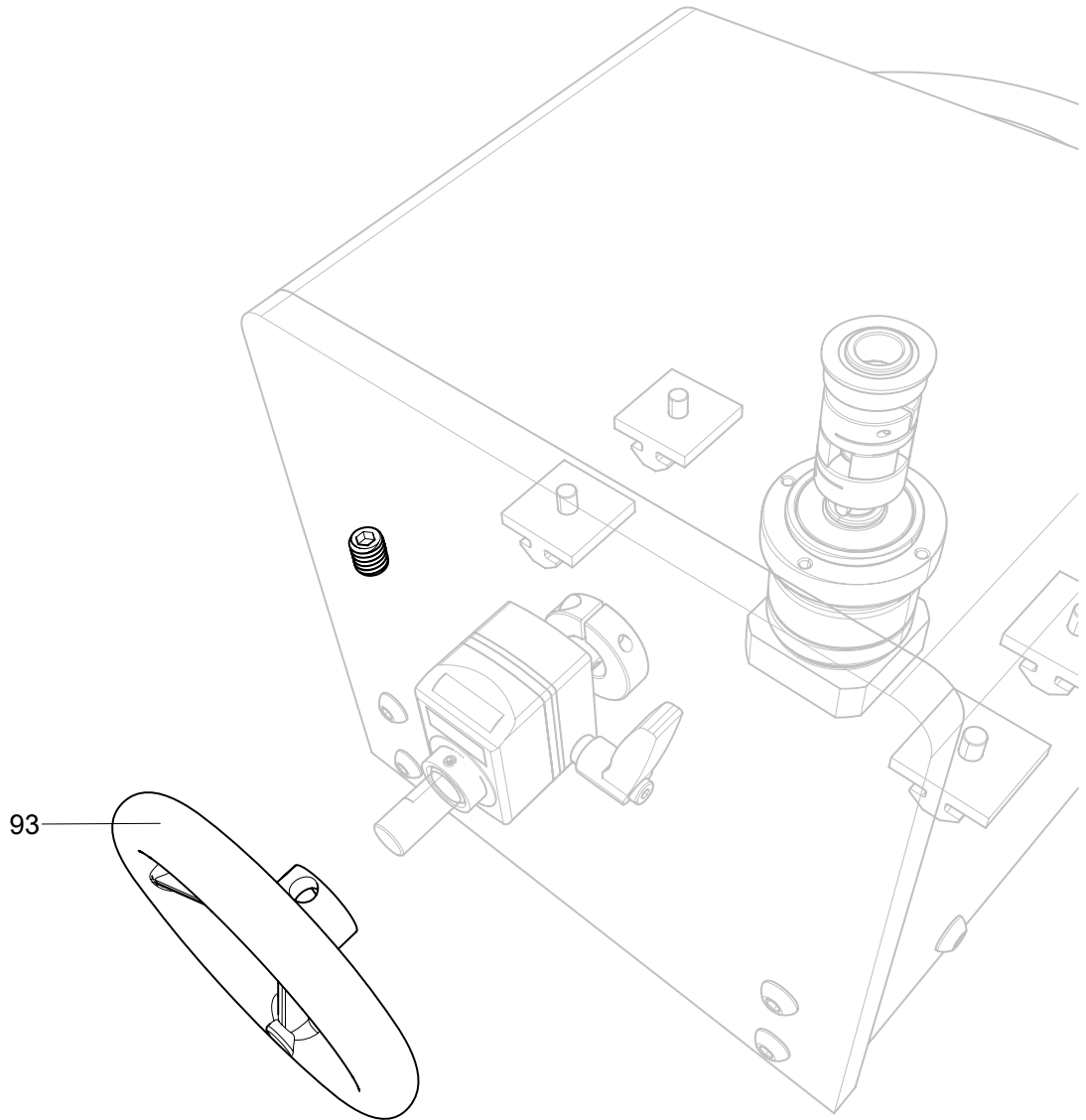


FLEX PITCH 4-HEAD 10"-PITCH LRG FR ASSY



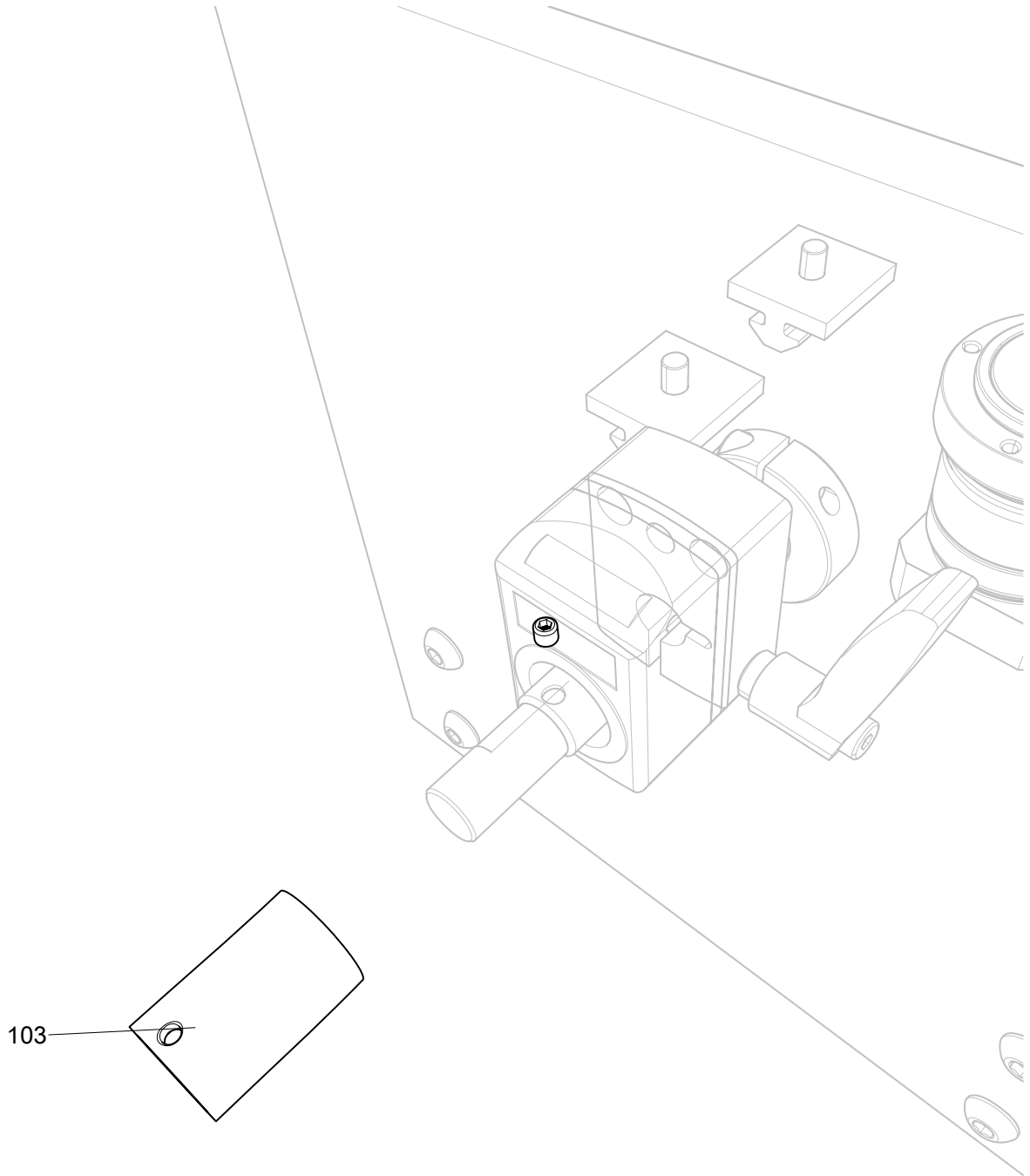
Spacing Wheel

FLEX PITCH 4-HEAD 10"-PITCH LRG FR ASSY



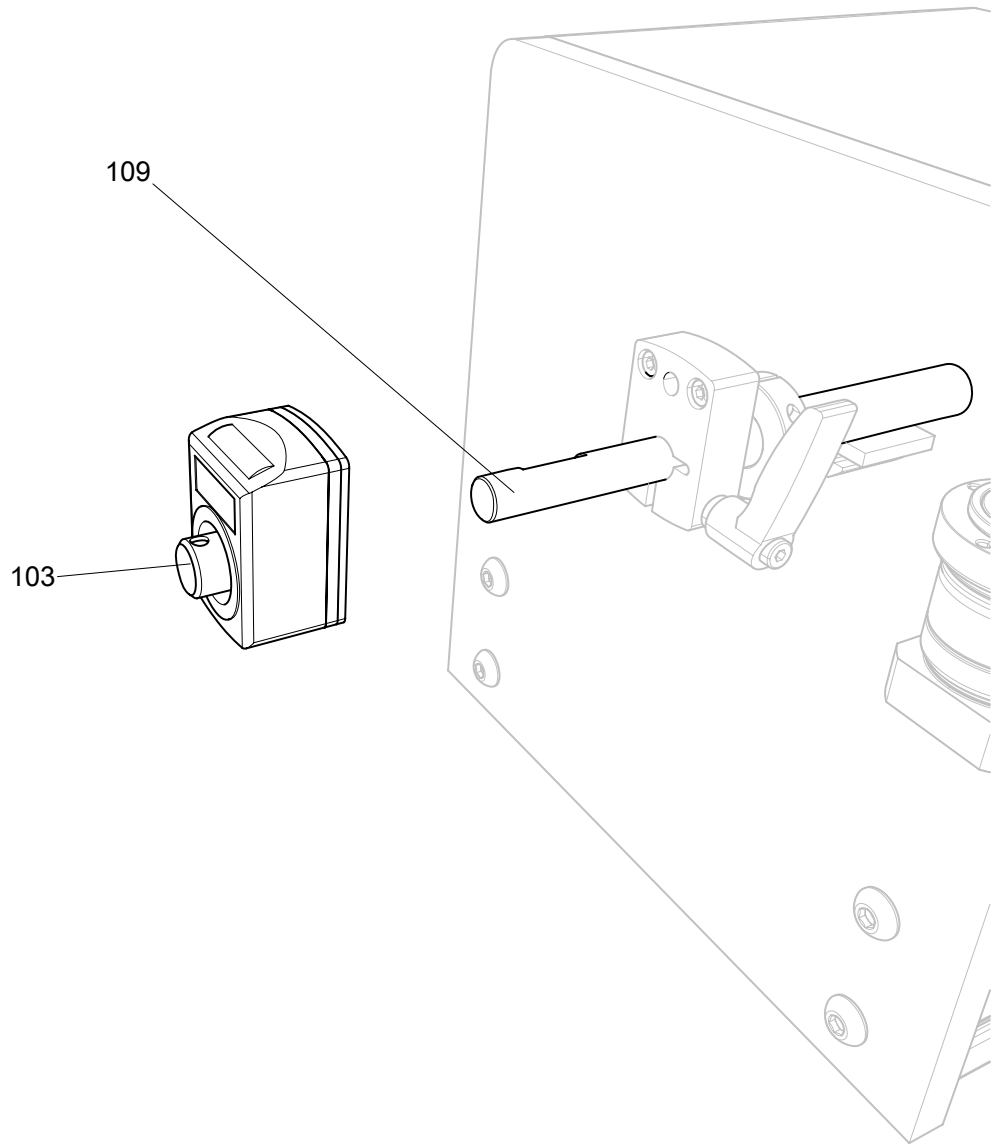
Wheel Removal

FLEX PITCH 4-HEAD 10"-PITCH LRG FR ASSY



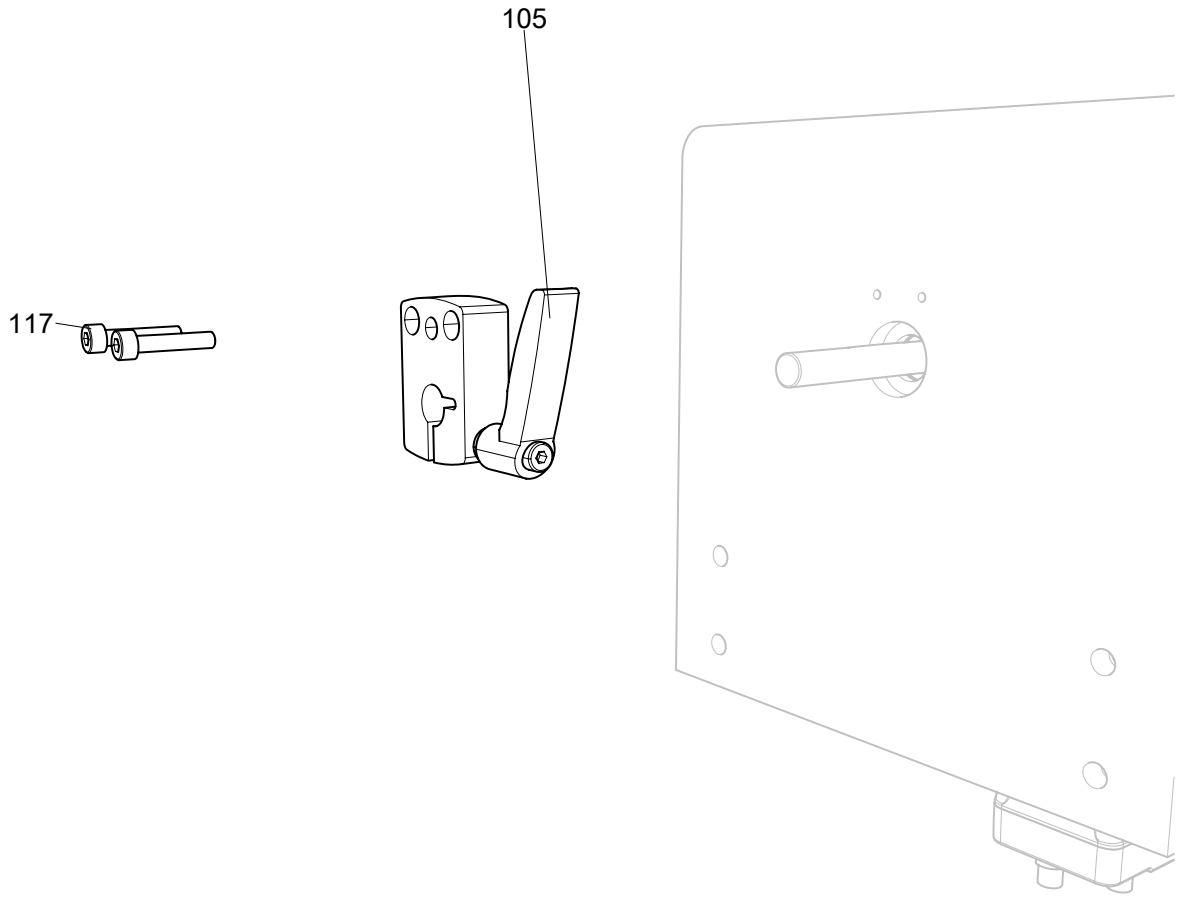
Collar Removal

FLEX PITCH 4-HEAD 10"-PITCH LRG FR ASSY



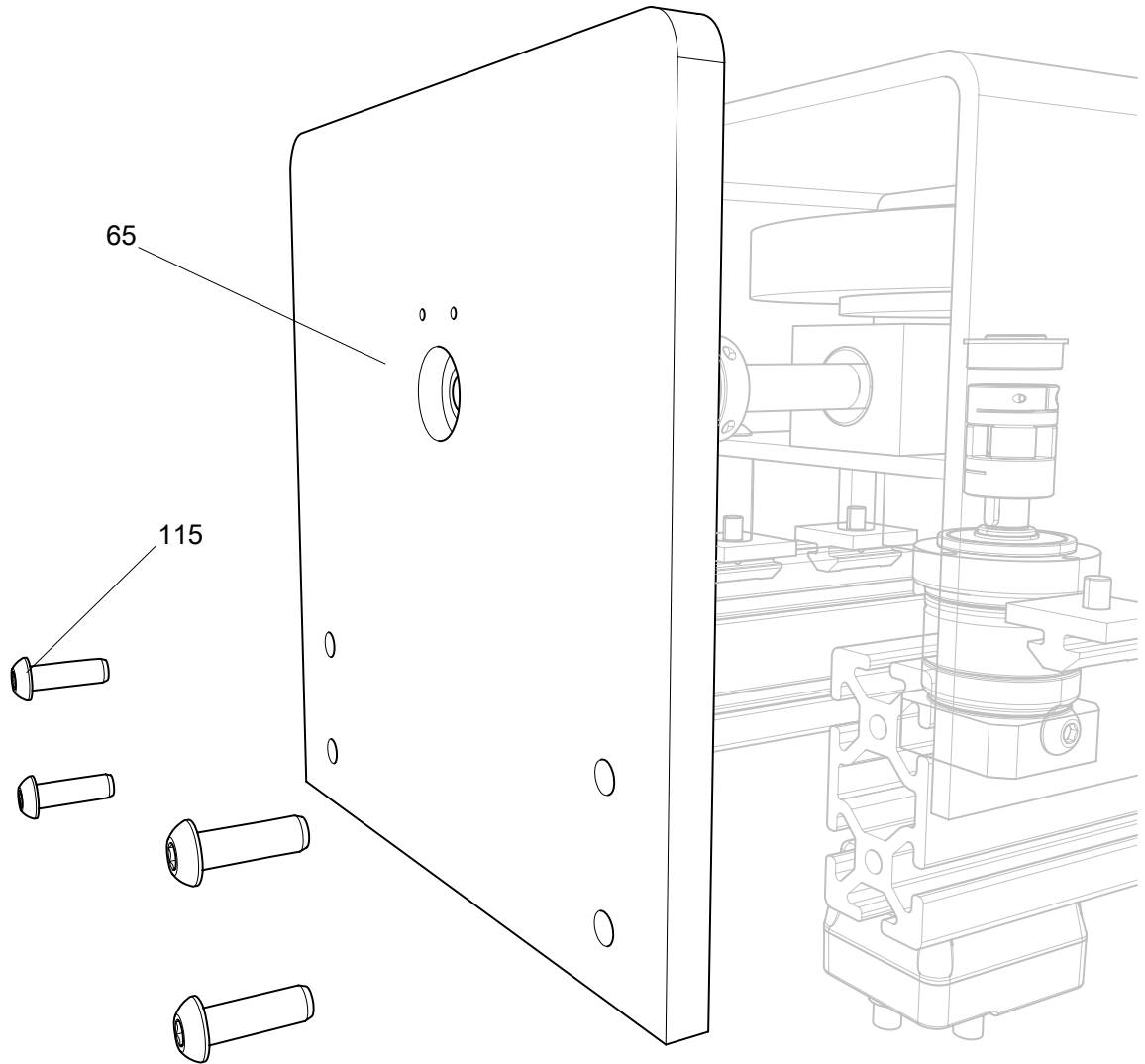
Digital Positioner

FLEX PITCH 4-HEAD 10"-PITCH LRG FR ASSY



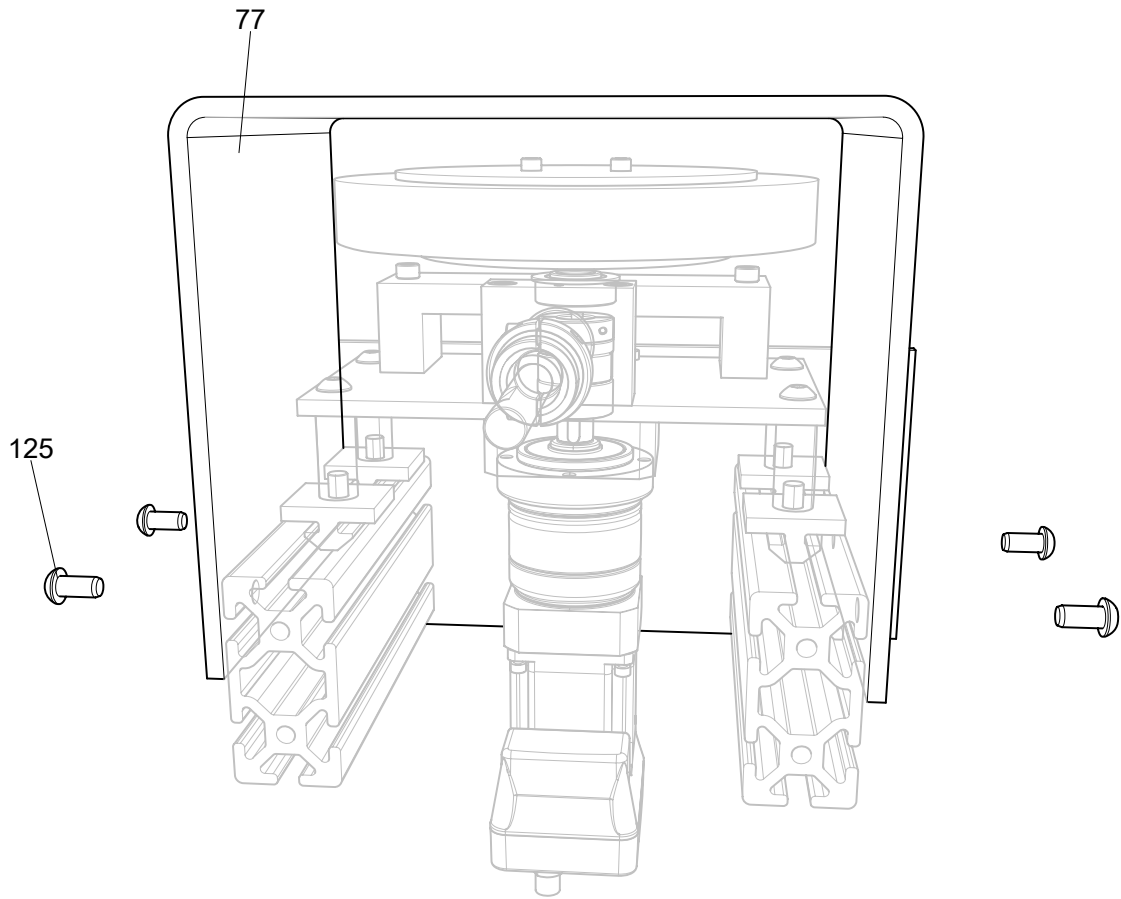
Lock

FLEX PITCH 4-HEAD 10"-PITCH LRG FR ASSY



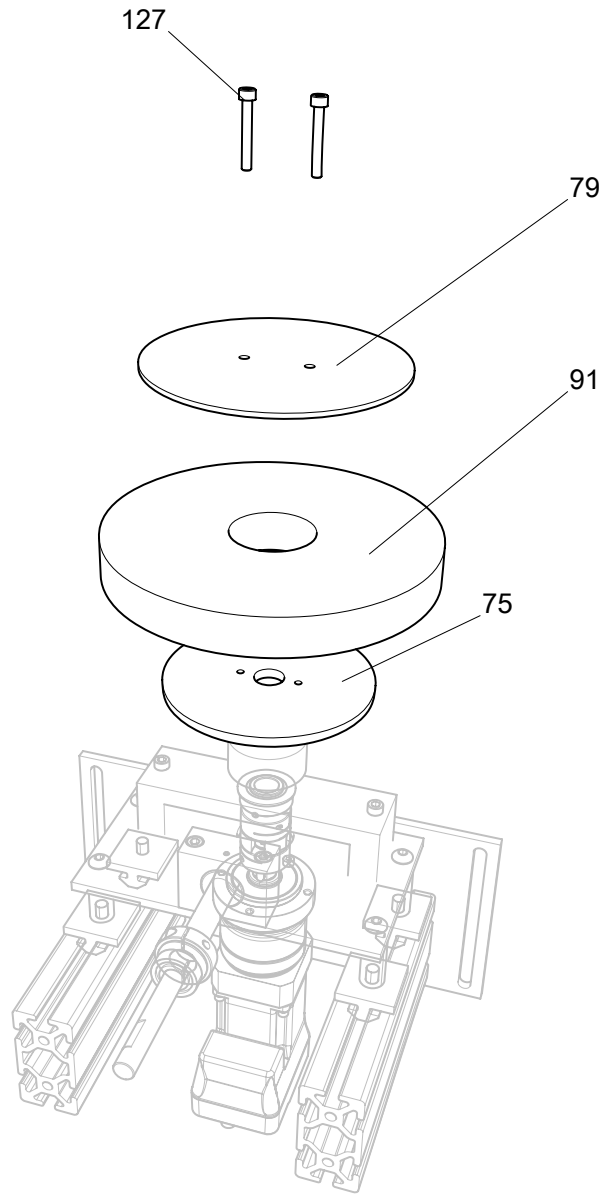
Spacing Plate

FLEX PITCH 4-HEAD 10"-PITCH LRG FR ASSY



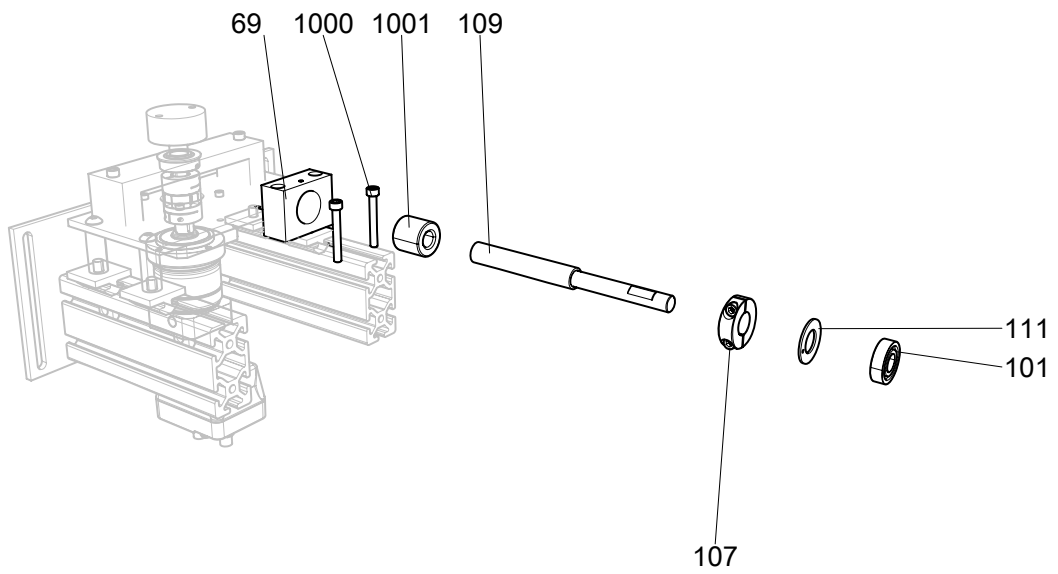
Safety Guard

FLEX PITCH 4-HEAD 10"-PITCH LRG FR ASSY



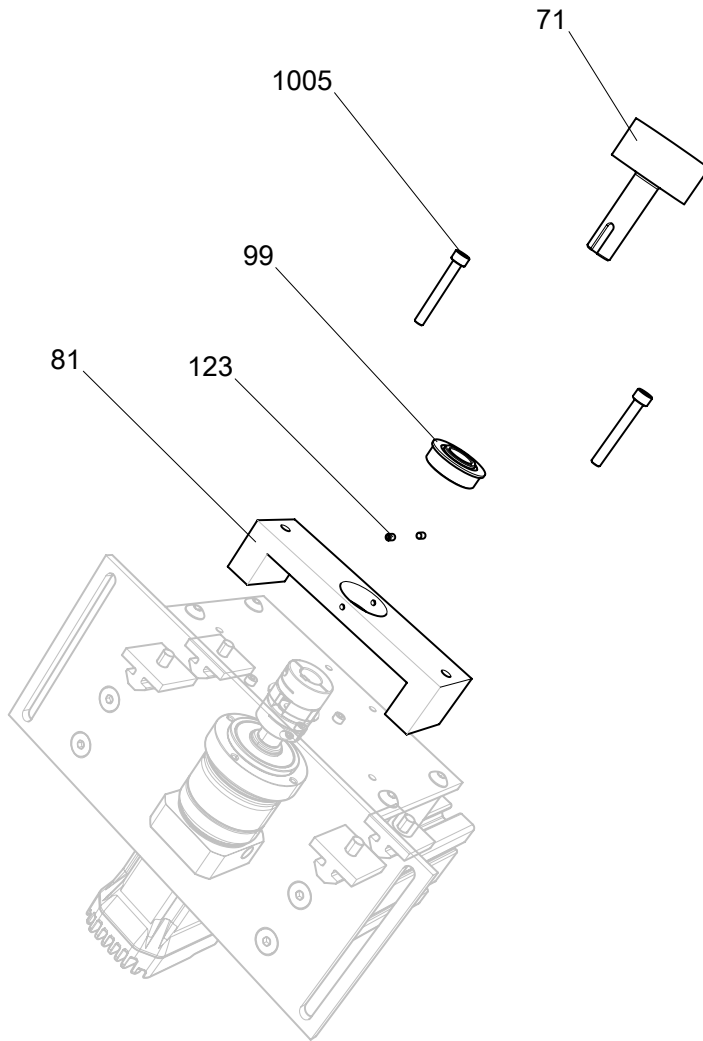
Top Disc Removal

FLEX PITCH 4-HEAD 10"-PITCH LRG FR ASSY



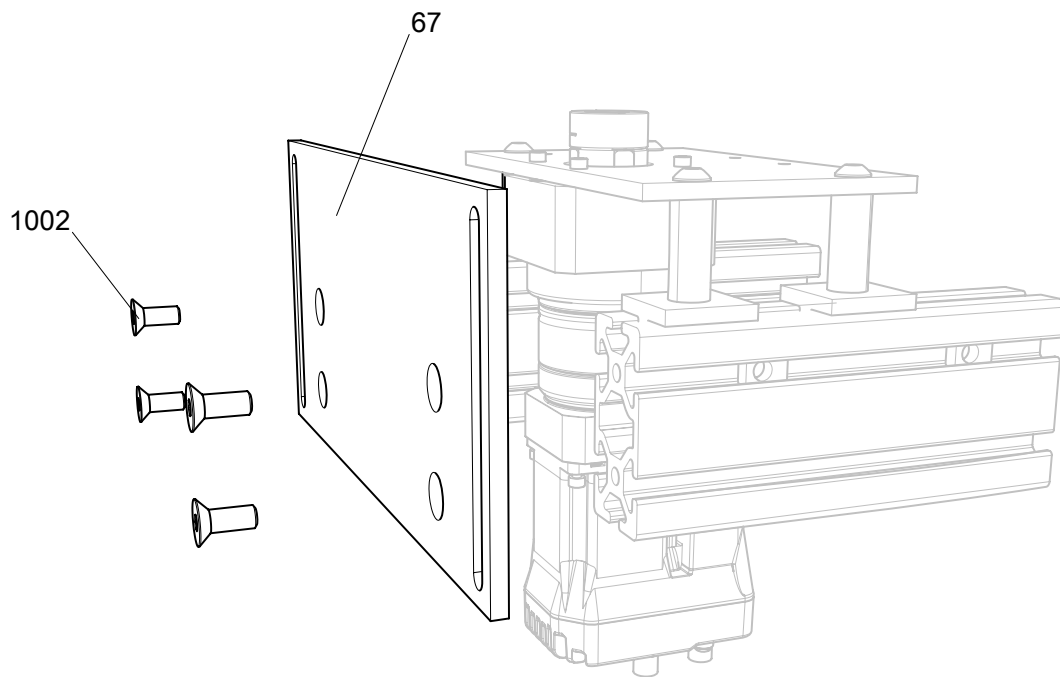
Wheel Shaft and Block Parts

FLEX PITCH 4-HEAD 10"-PITCH LRG FR ASSY



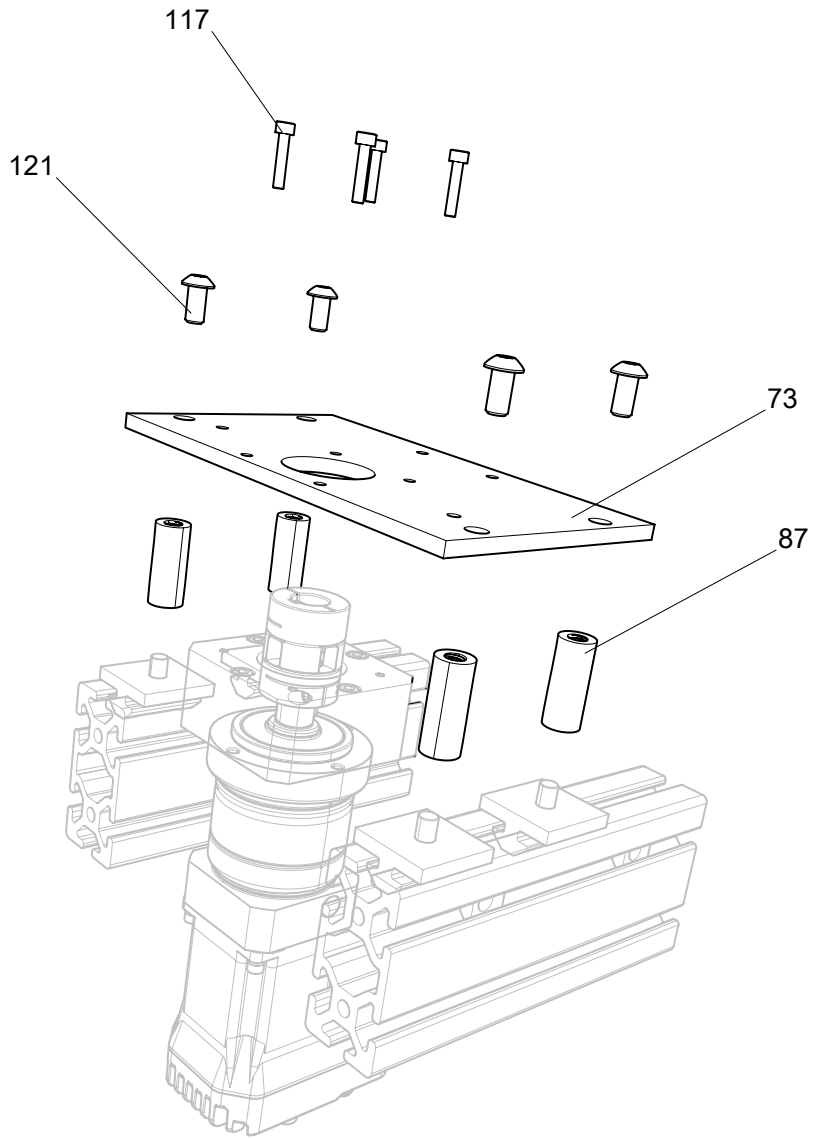
Block and 16MM Rod

FLEX PITCH 4-HEAD 10"-PITCH LRG FR ASSY



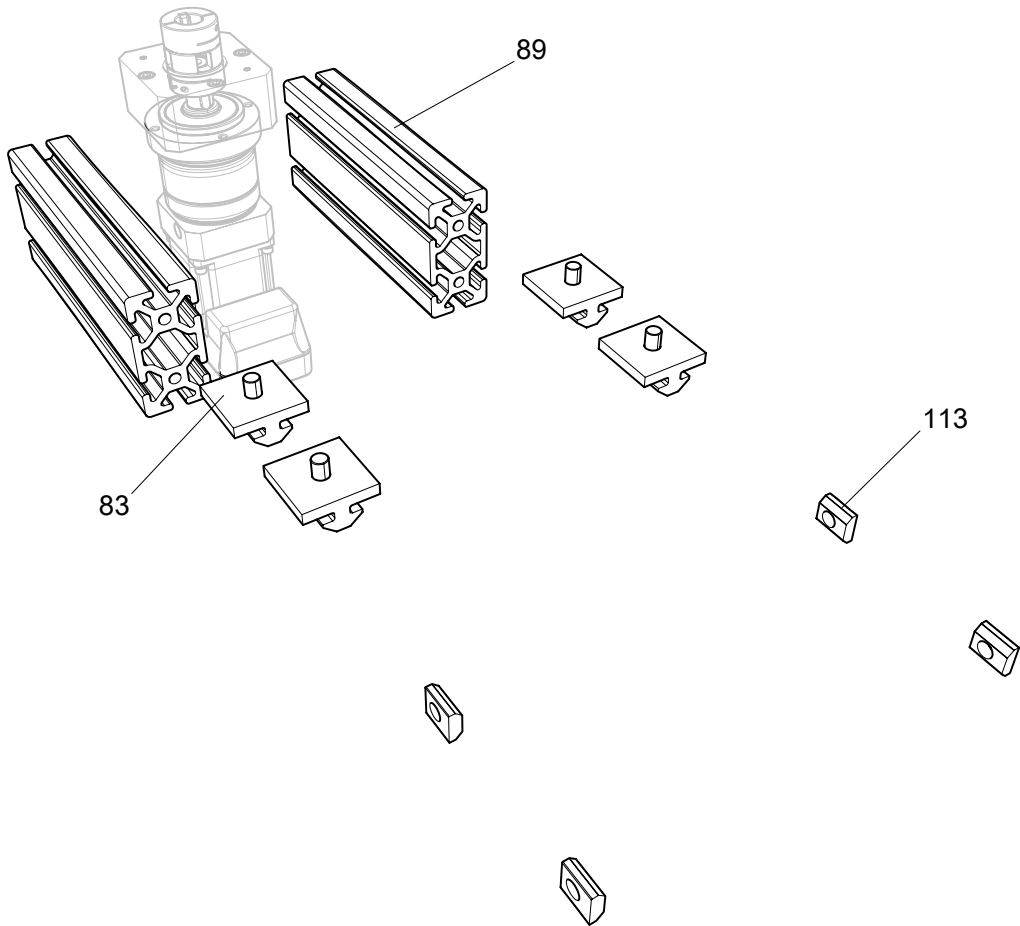
Spacing Wheel Mounting Plate

FLEX PITCH 4-HEAD 10"-PITCH LRG FR ASSY



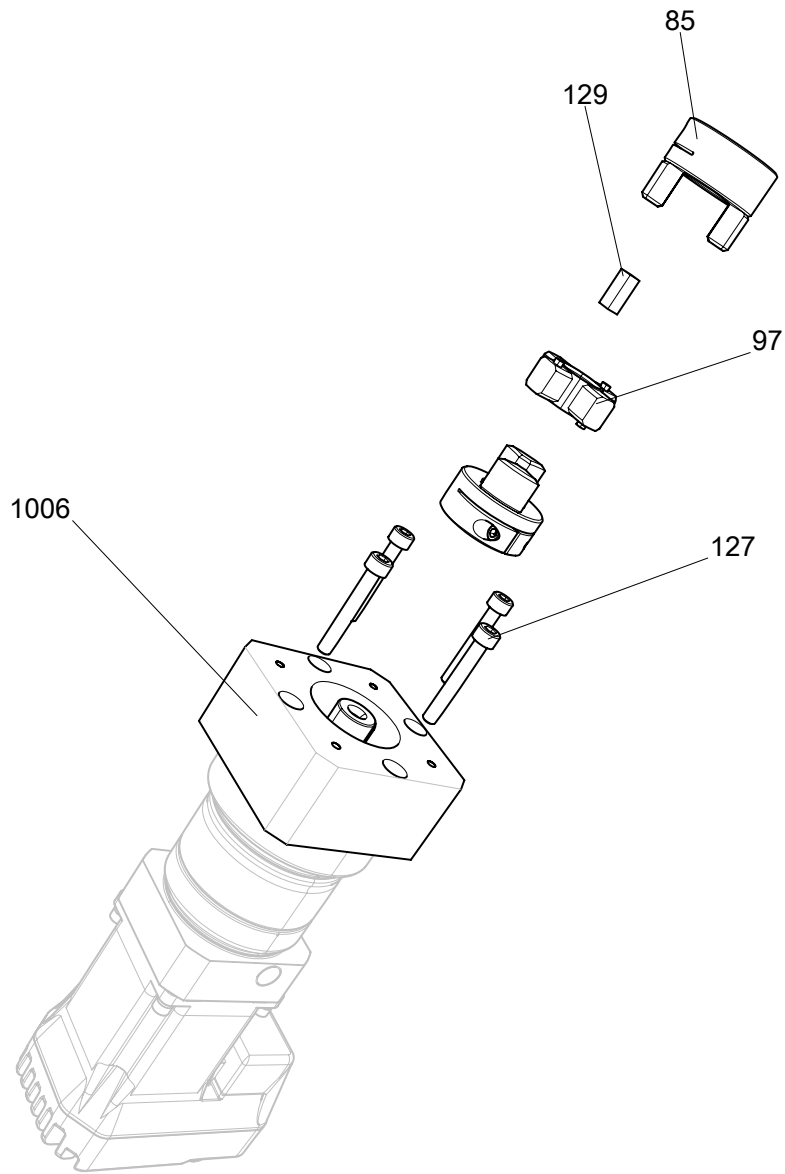
Aluminum Plate for Spacing Wheel

FLEX PITCH 4-HEAD 10"-PITCH LRG FR ASSY



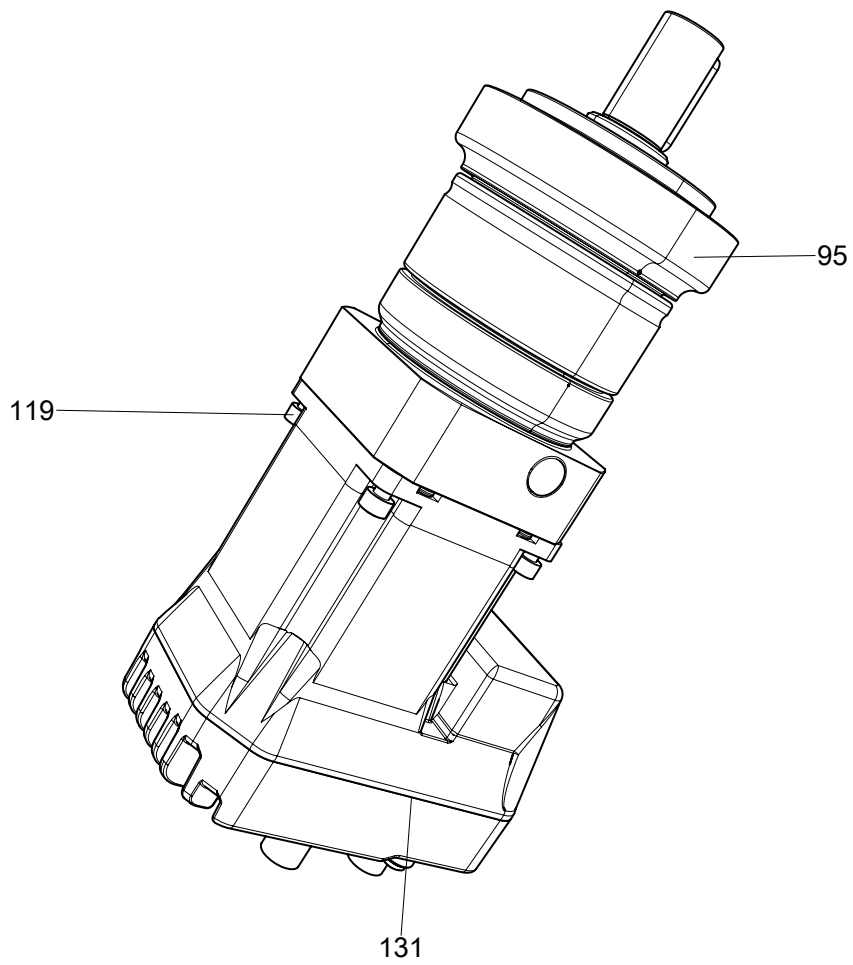
Wheel Spacer Aluminum Extrusion

FLEX PITCH 4-HEAD 10"-PITCH LRG FR ASSY



Servo Coupling

FLEX PITCH 4-HEAD 10"-PITCH LRG FR ASSY



Servo

FLEX PITCH 4-HEAD 10"-PITCH LRG FR ASSY

| ITEM | DESCRIPTION | PART NO. | REV | QTY | INFO |
|------|--|-----------------|-----|-----|------|
| 1 | FLEX PITCH 4-HEAD 10"-PITCH LRG FR ASSY | ASSY-035034-A | A | 1 | |
| 3 | •FP 2-4 MAIN ENCLOSURE ASSEMBLY | ASSY-023738 | A | 1 | |
| 5 | ••FP 2-4 STD MAIN ENCLOSURE (CTD244210LG) | ELEC-034276 | A | 1 | |
| 7 | ••FP 2-4 HOFF CP2442G SUB-PANEL | ELEC-036271 | A | 1 | |
| 9 | ••FAN, ALPS 27175101, HOFFMAN 5" FAN HF0524414 (24v) | ELEC-010495 | A | 1 | |
| 11 | ••TINA 8A, 8 PORT CONNECTION BLOCK | ELEC-011802 | A | 1 | |
| 13 | ••Cord grip, icotek, 54241, KEL-U-24 10, 10 insert cord grip | ELEC-036259 | A | 1 | |
| 15 | ••Socomec handle, pistol, S1 type | ELEC-012402 | A | 1 | |
| 17 | ••Cord Grip, ICOTEK 43710, KEL-DPZ 24/25 | ELEC-035988 | A | 1 | |
| 19 | ••H0509, 1/2" Liquidtight 90° Connector | ELEX-008000 | A | 2 | |
| 21 | ••01051 PLUG HOLE DOME 7/8 | ELEX-012568 | B | 1 | |
| 23 | ••SWITCH, E-STOP, PUSHBUTTON, TINA, JOKAB 30-054-00 | ELEC-010884 | A | 1 | |
| 25 | ••SIGN, E-STOP, JSESB-YD60, JOKAB 50-001-21 | LABX-035909 | A | 1 | |
| 27 | ••RJ45-Panel-Mount-W/lp67-Cap Turck | ELEC-011299 | A | 1 | |
| 29 | ••GRILL, HOFFMAN, HG0500404, 5" EXHAUST GRILL KIT | ELEC-010496 | A | 1 | |
| 31 | •FP 2-4 570mm LED strip light and door switch assembly | ASSY-034751 | A | 1 | |
| 33 | ••FP 2-4 Light Bar Door Switch Bracket | MACH-034725 | A | 1 | |
| 35 | ••FP 2-4 Light Bar Door Switch Strikeplate | MACH-034726 | A | 1 | |
| 37 | ••LED Strip Light, Banner WLS28-2XW570XPBQ | ELEC-034746 | A | 1 | |
| 39 | ••LED strip light right angle bracket set, Banner SMBWLS28SM | ELEC-034747 | A | 2 | |
| 41 | ••CABLE, SAFETY, M12X6M 5 COND SHIELDED, JOKAB 20-056-00 | ELEC-010338 | A | 1 | |
| 43 | ••SCREW, SHCS, M6 X 20 LG, SS | HDWX-013030 | A | 2 | |
| 45 | ••T-NUT, M6 FOR PROFILE 8, ITEM 0.0.480.50 | HDWX-033403 | A | 2 | |
| 47 | ••SCREW, FHCS, M6 X 16 LG, SS | HDWX-013354 | D | 2 | |
| 49 | ••WASHER, STD, M4, SS | HDWX-014327 | A | 6 | |
| 51 | •TESTER CONVEYOR | TESTER CONVEYOR | A | 1 | |
| 53 | •ENCODER ASSY CONVEYOR | ASSY-032504 | A | 2 | |
| 55 | ••ENCODER DYNAPAR, HS2020488144J, SEALED HOLLOW SHAFT ENCODER, 2048 RESOLUTION, 5/8"ID DIFFERENTIAL BIDIRECTIONAL 5-26V, 8 PIN M12 CONNECTOR | ELEC-040777 | B | 1 | |

FLEX PITCH 4-HEAD 10"-PITCH LRG FR ASSY

| ITEM | DESCRIPTION | PART NO. | REV | QTY | INFO |
|------|---|-------------|-----|-----|------|
| 57 | ••Cable, Turck WKC8T-10/S618, M12 quick connect, 8 pin, Female, 90 degree, 10M, Encoder-cable | ELEC-040021 | A | 1 | |
| 59 | ••SCREW, BHCS, M8 X 25 LG, SS | HDWX-013254 | D | 1 | |
| 61 | ••SPACER, UNTHREADED - 3/4" OD, 5/8" LG, FOR 5/16" SCREW, AL - MCMaster CARR 92510A801 | MECH-042325 | A | 1 | |
| 63 | •SPACING WHEEL, MANUAL | ASSY-038466 | B | 1 | |
| 65 | ••ALUMINUM PLATE FOR SPACING WHEEL ROD | MACH-038939 | B | 1 | |
| 67 | ••SPACING WHEEL MOUNTING PLATE | MACH-038940 | B | 1 | |
| 69 | ••BLOCK FOR CYLINDRICAL NUT | MACH-038942 | B | 1 | |
| 71 | ••SPACING WHEEL DISK CONNECTOR | MACH-038944 | B | 1 | |
| 73 | ••ALUMINUM PLATE FOR SPACING WHEEL MOTOR | MACH-038943 | B | 1 | |
| 75 | ••SPACING WHEEL BOTTOM DISK | MACH-038945 | B | 1 | |
| 77 | ••SAFTEY GUARD, SPACING WHEEL | MACH-038948 | B | 1 | |
| 79 | ••SPACING WHEEL TOP DISK | MACH-038953 | B | 1 | |
| 81 | ••BLOCK TO SUPPORT 16MM ROD | MACH-038963 | B | 1 | |
| 83 | ••40 SERIES SLIDING DOOR GUIDE, 80/20, 40-2051 MACHINED | MACH-038954 | B | 4 | |
| 85 | ••CLAMPING HUB FOR 16MM SHAFT, 9845T3 | MECH-038946 | B | 2 | |
| 87 | ••1-1/2" AL ROUND STANDOFF, 5/8" OD, 5/16-18 TAP | MECH-038947 | B | 4 | |
| 89 | ••EXTRUSION 40-4080 LITE x 190.5mm #40-7048 BOTH ENDS | MECH-038949 | B | 2 | |
| 91 | ••SPACING WHEEL RUBBER DISK | MECH-038952 | B | 1 | |
| 93 | ••SPOKED DIE CAST ZINC HAND WHEEL, MCMaster 6033K81 | MECH-038955 | A | 1 | |
| 95 | ••APEX Dynamics part # PEII-070-007 / Nanotec PD4-E601L42-E-65-1 Planetary In-Line Gearhead, PEII-070 Series, 7:1 | MECH-039227 | B | 1 | |
| 97 | ••SPIDER, COUPLING, 1-5/16" - McMASTER CARR 9845T190 | MECH-038236 | B | 1 | |
| 99 | ••Flanged Ball Bearing .625 ID | MECH-039650 | A | 1 | |
| 101 | ••BALL BEARING - 12mm, MISUMI, B6001 | MECH-040299 | A | 1 | |
| 103 | ••DIGITAL POSITIONING INDICATOR-w/12mm SLEEVE, MISUMI, DPNFR3-CSE12 | MECH-040301 | A | 1 | |
| 105 | ••CLAMP PLATE 12mm DIA, MISUMI, DPNK12 | MECH-040300 | A | 1 | |
| 107 | ••SHAFT COLLAR-SPLIT 16mm DIA, MISUMI, PSCSP16-10 | MECH-040297 | A | 1 | |
| 109 | ••LEAD SCREW RH 16mm-12mm STEPPED END, MISUMI, MTSTRA16-170-S80-Q12-FC12-FW 20-FY1 | MECH-040296 | A | 1 | |

FLEX PITCH 4-HEAD 10"-PITCH LRG FR ASSY

| ITEM | DESCRIPTION | PART NO. | REV | QTY | INFO |
|------|--|---------------------------|-----|-----|------|
| 111 | ••THRUST WASHER 16mm ID, MISUMI, MDZW14 | MECH-040298 | A | 1 | |
| 113 | ••NUT T-NUT SLIDE IN 40 SERIES METRIC M8 | MECH-015583 | A | 4 | |
| 115 | ••SCREW, BHCS, M8 X 25 LG, SS | HDWX-013254 | D | 4 | |
| 117 | ••SCREW, SHCS, M4 X 20 LG, SS | HDWX-014062 | D | 6 | |
| 119 | ••SCREW, SHCS, M4 X 14 LG, SS | HDWX-014060 | C | 4 | |
| 121 | ••SCREW BHCS, 5/16-18 X 0.63 BO | HDWX-013217 | J | 4 | |
| 123 | ••SCREW SET SOC BO M4 X 6 68063643 | HDWX-013778 | B | 3 | |
| 125 | ••SCREW, BHCS, M8 X 16 LG, SS | HDWX-013251 | J | 4 | |
| 127 | ••SCREW, SHCS, M5 X 35 LG, SS | HDWX-014079 | D | 6 | |
| 129 | ••KEY- 5mm SQUARE x .50 INCH LONG | KEY-5mm Square x .50 inch | | 1 | |
| 131 | ••SERVO, Schneider, LMHAE572C, NEMA23, Ethernet IP | ELEC-043342 | A | 1 | |
| 133 | •WIDE REJECT CHUTE ASSY FP | ASSY-035127 | - | 1 | |
| 135 | ••WIDE CHUTE FRONT BOTTOM FP | MECH-035128 | - | 1 | |
| 137 | ••WIDE CHUTE TOP FP | MECH-035129 | - | 1 | |
| 139 | ••WIDE CHUTE BACK PANEL FP | MECH-035130 | B | 1 | |
| 141 | ••FP 2-4 CHUTE SIDE FP | MECH-034300 | C | 2 | |
| 143 | ••WIDE CHUTE BACK ANGLE W/SLIT FP | MECH-035131 | - | 1 | |
| 145 | ••FP 2-4 REJECT CHUTE LASER BACK PANEL | MACH-034921 | B | 1 | |
| 147 | ••SCREW, SELF TAPPING, FLAT, #10 X 1 LG | HDWX-013407 | C | 23 | |
| 149 | ••SCREW, FHCS, M8 X 25 LG, SS | HDWX-013367 | B | 4 | |
| 151 | ••SCREW, FHCS, M6 X 30 LG, SS | HDWX-013357 | D | 2 | |
| 153 | ••NUT, HEX, M6, SS | HDWX-013099 | D | 2 | |
| 155 | •MANUAL VALVE ASSY | ASSY-038934 | B | 1 | |
| 157 | ••MANUAL VALVE MOUNTING PLATE | MACH-038935 | A | 1 | |
| 159 | ••REGULATOR, AIR, 2-100 PSI, .250 NPT, FAIRCHILD 30252 | PNEU-001180 | B | 1 | |
| 161 | ••REGULATOR, AIR, 1/2-30 PSI, .250 NPT, FAIRCHILD 30232 | PNEU-010981 | - | 1 | |
| 163 | ••SCREW, SHCS, M8 X 16 LG, SS | HDWX-014096 | C | 2 | |
| 165 | ••SCREW, BHCS, 10-32 X 0.50 LG, SS | HDWX-013207 | A | 4 | |
| 167 | ••FITTING, ELBOW, STREET - 90 DEGREE, 1/4F X 1/8M, BRASS, PARKER 2202P-4-2 | PNEX-021225 | A | 2 | |
| 169 | ••TRANSDUCER, PRESSURE, 0-50PSI, 4-20MA, 1/4NPT | ELEC-010902 | A | 1 | |
| 171 | ••TRANSDUCER, PRESSURE, 0-100 PSI, 4-20MA, 1/4NPT | ELEC-010901 | A | 1 | |
| 173 | ••100 psi LABEL | 100 psi LABEL | - | 1 | |
| 175 | ••30 psi LABEL | 30 psi LABEL | - | 1 | |
| 177 | •FP STANDARD OMRON HMI ENCLOSURE ASSY | ASSY-039275 | A | 1 | |
| 179 | ••FP 2-4 HMI SWING ARM ASSEMBLY | ASSY-034319 | B | 1 | |

FLEX PITCH 4-HEAD 10"-PITCH LRG FR ASSY

| ITEM | DESCRIPTION | PART NO. | REV | QTY | INFO |
|------|--|-------------|-----|-----|------|
| 181 | •••FP 2-4 HMI MOUNTING PLATE | MACH-034574 | B | 2 | |
| 183 | •••ITEM SWING ARM ASSEMBLY | MACH-026146 | A | 1 | |
| 185 | •••40X40 3N Light EXTRUSION X 13.39 (340mm) LG | MECH-035508 | A | 1 | |
| 187 | •••SCREW, SHCS, M8 X 20 LG, SS | HDWX-014097 | H | 4 | |
| 189 | •••NUT, HEX, JAM, M8, PL | HDWX-006914 | B | 4 | |
| 191 | ••HMI ENCLOSURE FOR FLEX PITCH TESTERS | ASSY-023740 | A | 1 | |
| 193 | •••FLEX PITCH 2-4 HMI ENCLOSURE (LHC302515) | ELEC-034670 | - | 1 | |
| 195 | •••HMI CONTROL INTERFACE, 5" COLOR, ETHERNET - NS5-SQ11B-V2 | ELEC-038066 | A | 1 | |
| 197 | •••PUSHBUTTON, START/STOP, AB 800FPU2EFFEPX11 | ELEC-010704 | A | 1 | |
| 199 | ••••ABPFA301 | - | A | 4 | |
| 201 | •••SWITCH, E-STOP, PUSHBUTTON, TINA, JOKAB 30-054-00 | ELEC-010884 | A | 1 | |
| 203 | •••SIGN, E-STOP, JSESB-YD60, JOKAB 50-001-21 | LABX-035909 | A | 1 | |
| 205 | •FP2.1 TRANSFORMER ASSY | ASSY-038193 | A | 1 | |
| 207 | ••FP2.1 TRANSFORM MOUNTING PLATE | MACH-038235 | A | 1 | |
| 209 | ••SCREW, SHCS, M8 X 16 LG, SS | HDWX-014096 | C | 10 | |
| 211 | ••TRANSFORMER ACME 3KVA 480-240/120 | ELEC-012490 | A | 1 | |
| 213 | •FP 2-4 STACK LIGHT ASSEMBLY | ASSY-032341 | A | 1 | |
| 215 | ••Extension, 12" Stacklight, Blk Anod Alum, BANNER SOP-E12-300A | ELEC-033364 | A | 1 | |
| 217 | ••Adapter, 30mm Stacklight Ext Base Cover, BANNER SA-E12M30 | ELEC-033318 | A | 1 | |
| 219 | ••Bracket, Right angle, Light, BANNER SMB30A | MECH-032681 | C | 1 | |
| 221 | ••CABLE, SAFETY, M12X6M 5 COND SHIELDED, JOKAB 20-056-00 | ELEC-010338 | A | 1 | |
| 223 | ••Light, EZ, Audible, Steady tone, 95dB, BANNER K50LGRAL1YPQ | ELEC-010598 | C | 1 | |
| 225 | ••Adapter, 30mm stacklight cover, BANNER SA-M30E12 | ELEC-033810 | A | 1 | |
| 227 | ••SCREW, SHCS, M6 X 12 LG, SS | HDWX-014082 | E | 2 | |
| 229 | ••T-NUT, M6, PROFILE 8, ITEM 0.0.026.23 | HDWX-013136 | - | 2 | |
| 231 | •SECONDARY REJECT ASSY MHL | ASSY-025498 | C | 1 | |
| 233 | ••30440 CLAMP CROSS 1/2 X 1/2 | MECH-010374 | A | 1 | |
| 235 | ••ROD SECONDARY REJECT | MACH-029988 | A | 1 | |
| 237 | ••SCREW, FHCS, M6 X 12 LG, SS | HDWX-013353 | A | 1 | |
| 239 | ••01139 FITTING BRASS BULKHEAD BARBED | PNEX-021233 | A | 1 | |
| 241 | ••32186 ROD ADJ SS 1/2DIA X 10 | MECH-010733 | C | 1 | |
| 243 | ••SCREW, BHCS, 5/16-18 X 0.75 LG, SS | HDWX-013219 | | 1 | |

FLEX PITCH 4-HEAD 10"-PITCH LRG FR ASSY

| ITEM | DESCRIPTION | PART NO. | REV | QTY | INFO |
|------|--|------------------|-----|-----|------|
| 245 | •FP2.1 PRIMARY REJECT ASSEMBLY | ASSY-038188 | A | 1 | |
| 247 | ••FP2.1 REJECT CYLINDER MOUNT | MACH-038231 | A | 1 | |
| 249 | ••FP2.1 REJECT CYLINDER NUT PLATE | MACH-038232 | A | 1 | |
| 251 | ••FP 2-4 REJECT CYLINDER MOUNTING | MACH-027249 | A | 1 | |
| 253 | ••METRIC SCALE LABEL 30-100mm | LABX-014452 | A | 1 | |
| 255 | ••REJECT CYLINDER BRACKET | MACH-026263 | A | 1 | |
| 257 | ••FP 2-4 ALTERED CLAMP HANDLE - YELLOW | MACH-026776 | A | 2 | |
| 259 | •••Clamp, Handle, M6 X 30 LG, Yellow, MCMaster 5101K653 | MECH-033349 | A | 1 | |
| 261 | •••ABPFA301 | - | A | 1 | |
| 263 | ••CLAMP, COLLAR, 1/4 ID, ZINC PLATED, MCMaster 9961K13 | MECH-015218 | A | 1 | |
| 265 | ••FITTING FLOW CONTROL 1/4T X 1/8NPT | PNEX-021112 | A | 1 | |
| 267 | ••CYLINDER, SINGLE ACTING, 3/4 BORE, W/BUMPER, AMER 750SNS-2.00-32-9 | PNEU-018114 | - | 1 | |
| 269 | ••NUT, HEX, JAM, 1/2-20, SS | HDWX-013042 | | 1 | |
| 271 | ••SCREW, SHCS, M8 X 20 LG, SS | HDWX-014097 | H | 2 | |
| 273 | ••WASHER, FENDER, M8, SS | HDWX-014248 | B | 2 | |
| 275 | •FP 2-4 AIR PREP FILTER ASSEMBLY | ASSY-023785 | A | 1 | |
| 277 | ••FILTER/REG ASSY COMPLETE (LEFT TO RIGHT) | PNEU-010500 | A | 1 | |
| 279 | | HDWX-006954 | | 4 | |
| 281 | ••SCREW, BHCS, M8 X 12 LG, BO | HDWX-013248 | A | 2 | |
| 283 | •FLEX PITCH 2-4.10 FRAME ASSEMBLY | ASSY-023867 | A | 1 | |
| 285 | ••SCREW, SHCS, M12 X 25 LG, SS | HDWX-014043 | A | 8 | |
| 287 | ••SCREW, SHCS, M6 X 20 LG, SS | HDWX-013030 | A | 56 | |
| 289 | ••SCREW, BHCS, M8 X 12 LG, SS | HDWX-013249 | G | 32 | |
| 291 | ••SCREW, BHCS, M8 X 20 LG, SS | HDWX-013252 | C | 8 | |
| 293 | ••SCREW, SHCS, M8 X 20 LG, SS | HDWX-014097 | H | 8 | |
| 295 | ••SCREW, SHCS, M5 X 14 LG, SS | HDWX-014073 | D | 22 | |
| 297 | ••SCREW, MCMaster CARR.91292A816, M6 x 75mm lg. SHCS - SOLD IN PACKETS OF (10) | MECX-038200 | A | 24 | |
| 299 | ••8mm x 20mm Dowel | 8mm x 20mm Dowel | | 2 | |
| 301 | ••FP2.1 FLEX PITCH TESTER LARGE FRAME | MACH-040047 | A | 1 | |
| 303 | •••2 x 2 x 1/4w x 103.00 | TUBE L-A1 | A | 1 | |
| 305 | •••2 x 2 x 1/4w x 103.00 | TUBE L-A2 | A | 1 | |
| 307 | •••2 x 2 x 1/4w x 103.00 | TUBE L-A3 | A | 1 | |
| 309 | •••2 x 2 x 1/4w x 103.00 | TUBE L-A4 | A | 1 | |
| 311 | •••2 x 2 x 1/4w x 31.50 | TUBE L-B2 | A | 6 | |
| 313 | •••2 x 2 x 1/4w x 60.00 | TUBE L-C1 | A | 2 | |
| 315 | •••2 x 2 x 1/4w x 107.00 | TUBE L- D | A | 1 | |
| 317 | •••2 x 2 x 1/4w x 107.00 | TUBE L-D2 | A | 1 | |
| 319 | •••2 x 2 x 1/4w x 44.00 | TUBE L-E1 | A | 2 | |

FLEX PITCH 4-HEAD 10"-PITCH LRG FR ASSY

| ITEM | DESCRIPTION | PART NO. | REV | QTY | INFO |
|------|--|-----------------|-----|-----|------|
| 321 | ••2 x 2 x 1/4w x 12.00 | TUBE L-F | A | 2 | |
| 323 | ••2 x 2 x 1/4w x 12.00 | TUBE L-F2 | A | 2 | |
| 325 | ••2 x 2 x 1/4w x 31.50 | TUBE L-G1 | A | 2 | |
| 327 | ••2 x 2 x 1/4w x 10.00 | TUBE L-H | A | 2 | |
| 329 | ••2 x 2 x 1/4w x 22.50 | TUBE L-J | A | 1 | |
| 331 | ••2 x 2 x 1/4w x 23.50 | TUBE L-K | A | 1 | |
| 333 | ••.50 x 2.50 x 2.50 | PLATE L-I | A | 1 | |
| 335 | ••.12 x 1.50 x 1.50 | PLATE L-N | A | 8 | |
| 337 | ••.50 x 2.50 x 6.50 | PLATE L-P | A | 4 | |
| 339 | ••.12 x 2.00 x 9.12 | BRKT L-Q | A | 4 | |
| 341 | ••2 x 2 x 1/4w x 29.50 | TUBE L-R | A | 2 | |
| 343 | ••2 x 2 x 1/4w x 6.00 | TUBE L-Z | A | 2 | |
| 345 | ••RAIL, THK, SHS20-640L(GK), SIZE 20 RAIL X 640mm LG | MECH-038197 | A | 2 | |
| 347 | ••BEARING, THK, SHS20LC1SS(GK), L M GUIDE BLOCK SIZE 20 (LONG) | MECH-038198 | A | 4 | |
| 349 | ••CLAMP, ZIMMER, MKS2001A, SIZE 20 THK RAIL CLAMP (PNEU) | MECH-038199 | A | 2 | |
| 351 | ••FP2.1 SLIDE LOWER SUPPORT ARM | MACH-038173 | A | 2 | |
| 353 | ••SCREW JACK, DAYTON-JOYCE, WJ50 012S-12-STDH-H2, 500 lbs. INVERTED SCREW JACK | MECH-038202 | A | 1 | |
| 355 | ••INVERTED JACK | JOYCE JACK BODY | A | 1 | |
| 357 | ••INVERTED JACK | JOYCE JACK STEM | A | 1 | |
| 359 | ••FP2.1 SLIDE SUPPORT RIB | MACH-038175 | A | 2 | |
| 361 | ••FP2.1 INVERTED JACK MOUNT PLATE | MACH-038176 | A | 1 | |
| 363 | ••FP2.1 INVERTED JACK SCREW RISER | MACH-038177 | A | 1 | |
| 365 | ••FP2.1 SCALE INDICATOR | MACH-039046 | A | 1 | |
| 367 | ••FP2.1 SLIDE UPPER SUPPORT ARM | MACH-038178 | A | 2 | |
| 369 | ••FP 10-PITCH SIDE TOP PANEL | MACH-040211 | A | 2 | |
| 371 | ••FP 10-PITCH TOP MID PANEL | MACH-040212 | A | 1 | |
| 373 | ••BRACKET, GUARD MOUNT - FRONT | MACH-038872 | A | 4 | |
| 375 | ••FP2.1 WINDOW OPP SIDE | MACH-039387 | A | 1 | |
| 377 | ••FP2.1 SIDE WINDOW | MACH-038179 | A | 2 | |
| 379 | ••FP2.1 WINDOW SIDE REAR | MACH-038180 | A | 2 | |
| 381 | ••FP 2-4 SELF TEST ORIFICES ASSEMBLY | ASSY-024401 | A | 1 | |
| 383 | ••FP 2-4 SELF TEST ORIFICE MOUNT | MACH-026267 | A | 1 | |
| 385 | ••Fitting, Bulkhead, #10-32, Brass, CLIPPARD 15027 | PNEX-020960 | A | 4 | |
| 387 | ••ORIFICE, FIXED, .007, #10-32, OKEEFE Q-7-BR | PNEU-035199 | A | 4 | |
| 389 | ••SCREW, SHCS, M6 X 12 LG, SS | HDWX-014082 | E | 2 | |
| 391 | ••SCREW, SHCS, M6 X 14 LG, SS | HDWX-014081 | - | 1 | |
| 393 | ••FP2.1 LIFT MOTOR ASSEMBLY | ASSY-038192 | A | 1 | |

FLEX PITCH 4-HEAD 10"-PITCH LRG FR ASSY

| ITEM | DESCRIPTION | PART NO. | REV | QTY | INFO |
|------|---|----------------------------|-----|-----|------|
| 395 | •••DC MOTOR, ETHERCAT WITH COM - NANOTECH PD4-E601L42-E-65 -1 | ELEC-038248 | B | 1 | |
| 397 | •••HUB, COUPLING, 8mm - McMASTER CARR 9845T305 | MECH-038255 | A | 1 | |
| 399 | •••SPIDER, COUPLING, 1-5/16" - McMASTER CARR 9845T190 | MECH-038236 | B | 1 | |
| 401 | •••HUB, COUPLING, 3/8" - McMASTER CARR 9845T302 | MECH-038256 | A | 1 | |
| 403 | •••SCREW, SHCS, M4 X 14 LG, SS | HDWX-014060 | C | 4 | |
| 405 | •••SCREW, SHCS, M4 X 20 LG, SS | HDWX-014062 | D | 3 | |
| 407 | •••PROX SWITCH PNP FLUSH MOUNT | ELEC-010803 | B | 3 | |
| 409 | •••M8x1.0 STANDARD PROX JAM NUT | M8x1.0 PROX SWITCH JAM NUT | A | 6 | |
| 411 | •••PROX SWITCH BRACKET | MACH-041987 | A | 3 | |
| 413 | •••PROX MOUNT EXTRUSION | MACH-041988 | A | 1 | |
| 415 | •••SCREW, SHCS, M6 X 35 LG, SS | HDWX-014088 | B | 2 | |
| 417 | ••FP2.1 MANUAL LIFT SHAFT ASSY | ASSY-038191 | B | 1 | |
| 419 | •••RS 2-4 LIFT CRANK HANDLE SHAFT | MACH-034310 | B | 1 | |
| 421 | •••124mm hand wheel w/ folding handle mod. | MACH-034910 | B | 1 | |
| 423 | ••••ABPFA301 | - | A | 2 | |
| 425 | •••PIN, SLOTTED SPRING, 1/8" X 1-1/4" LG, SS | MECX-017897 | B | 1 | |
| 427 | •••PIN, DOWEL, 1/8 DIA X 1/4 LG, SS | MECX-017895 | B | 2 | |
| 429 | •••PLUNGER, BALL-NOSE (NYLON), LCK ELEMENT, M5X0.8, STL | MECH-035170 | B | 1 | |
| 431 | •••FP2.1 HAND CRANK GUIDE BLOCK | MACH-038233 | B | 1 | |
| 433 | •••SCREW, SHCS, M4 X 20 LG, SS | HDWX-014062 | D | 4 | |
| 435 | ••FP 2-4 ACCESS DOOR SWITCH ASSY | ASSY-023544 | A | 2 | |
| 437 | ••Female Switch, Non-Retrofit, JOKAB,20-046-00 | ELEC-010882 | B | 1 | |
| 439 | ••T-NUT, M6, PROFILE 8, ITEM 0.0.026.23 | HDWX-013136 | - | 4 | |
| 441 | ••SCREW, SHCS, M6 X 12 LG, SS | HDWX-014082 | E | 2 | |
| 443 | ••SCREW, SHCS, M6 X 55 LG, SS | HDWX-014092 | A | 2 | |
| 445 | ••WASHER, STD, M6, SS | HDWX-014329 | F | 2 | |
| 447 | | HDWX-006723 | A | 4 | |
| 449 | •FLEX PITCH 2-4.10 TOOLING SLIDE ASSEMBLY | ASSY-025689 | - | 1 | |
| 451 | ••FP 2-4 10-PITCH SLIDE BOTTOM TOOLING PLATE | MACH-027372 | A | 1 | |
| 453 | ••SLIDE HOME STOP BLOCK | MACH-038206 | A | 8 | |
| 455 | ••SHS LM GUIDE RAIL SIZE 15 x 1900mm LG, THK SHS15-1900L | MECH-017194 | - | 2 | |
| 457 | ••PIN, DOWEL, M6 X 12 LG, STL | MECX-017896 | - | 4 | |
| 459 | | HDWX-006723 | A | 2 | |
| 461 | | HDWX-006727 | - | 8 | |

FLEX PITCH 4-HEAD 10"-PITCH LRG FR ASSY

| ITEM | DESCRIPTION | PART NO. | REV | QTY | INFO |
|------|---|-------------|-----|-----|------|
| 463 | ••FP2.1 LOWER FRONT COVER (LG FRAME) | MACH-034956 | A | 1 | |
| 465 | ••FP2.1 PROBE TOOLING - 2" STROKE | ASSY-038211 | A | 4 | |
| 467 | •••FP2.1 PROBE MOUNT | MACH-038222 | C | 1 | |
| 469 | •••FP 2-4 PROBE ARM STOP | MACH-026197 | A | 1 | |
| 471 | •••FLEX PITCH 2-4 PROBE SLIDE BLOCK | MACH-026198 | A | 1 | |
| 473 | •••LM LINEAR GUIDE BLOCK C1 LIGHT PRELOAD, THK SHS15C1SSC1 | MECH-033323 | A | 2 | |
| 475 | •••TIMING BELT CLAMP (ALTER) | MECH-010107 | A | 1 | |
| 477 | •••SCREW, FHCS, M5 X 16 LG, SS | HDWX-013351 | A | 4 | |
| 479 | •••SCREW, SHCS, M6 X 16 LG, SS | HDWX-006953 | A | 2 | |
| 481 | | HDWX-006727 | - | 1 | |
| 483 | •••FP 2-4 PROBE SIDE STOP, 2.00 INCH LONG | MACH-035039 | A | 1 | |
| 485 | ••••SCREW, SET, SOC, M6 X 25 LG, BO | HDWX-013780 | - | 1 | |
| 487 | •••FP CYL ASSY, 1-1/16 X 1, W/ TRANSDUCER | ASSY-023451 | A | 1 | |
| 489 | ••••CYLINDER, SINGLE ACTING, BUMPER, MAGNETIC, 1.06 BORE X 1 STROKE, AMER 1062SNS-1.00-4-32 | PNEU-010421 | E | 1 | |
| 491 | ••••NUT, HEX, JAM, 5/8-18, PL | HDWX-013080 | C | 1 | |
| 493 | ••••NUT, HEX, JAM, 5/16-24, PL | HDWX-013078 | C | 1 | |
| 495 | ••••FITTING, UNION, 1/4 TUBE, LEGRIS 3106-56-00 | PNEX-021048 | F | 1 | |
| 497 | •••PROBE ASSEMBLY LARGE PORT 5/16-24 TAP | ASSY-024825 | D | 1 | |
| 499 | ••••PROBE STEM LARGE PORT 5/16-24 | MECH-010112 | C | 1 | |
| 501 | ••••PROBE RETAINER WASHER | MECH-010695 | D | 1 | |
| 503 | ••••RING, RETAINING - INTERNAL INVERTED 3/4", ROTORCLIP HOI-75 | MECX-017912 | D | 1 | |
| 505 | •••PROBE ASSY LARGE PORT FOR 431417 | ASSY-025036 | C | 1 | |
| 507 | ••••PROBE SEAL HOLDER TILTING FOR 431417 | MECH-010697 | B | 1 | |
| 509 | ••••SEAL SIL RUB 2-1/4OD 40 DURO 5/16THK | SEAL-010182 | C | 1 | |
| 511 | ••••O-RING QUAD 0.57ODX0.36IDX.103 31957954 O-RING,QUAD,110 | PNEX-021408 | C | 1 | |
| 513 | ••FP 2-4 BOTTLE SENSOR ASSEMBLY | ASSY-025643 | A | 2 | |
| 515 | ••FP 2-4 SENSOR SLIDE MOUNT | MACH-027830 | A | 1 | |
| 517 | ••FP 2-4 SENSOR SLIDE BASE | MACH-026200 | A | 1 | |
| 519 | ••SCREW, SHCS, M6 X 20 LG, SS | HDWX-013030 | A | 4 | |
| 521 | ••Sensor, Laser, 25 - 300mm range clear only, BANNER Q4XTBCOD300-Q8 | ELEC-012240 | A | 1 | |
| 523 | ••••ABPFA301 | - | A | 9 | |
| 525 | ••Clamp, Handle, M6 X 30 LG, Yellow, MCMaster 5101K653 | MECH-033349 | A | 2 | |

FLEX PITCH 4-HEAD 10"-PITCH LRG FR ASSY

| ITEM | DESCRIPTION | PART NO. | REV | QTY | INFO |
|------|--|-------------|-----|-----|------|
| 527 | ••••Clamp, Handle, M6 X 30 LG, Yellow, MCMaster 5101K653 | MECH-033349 | A | 1 | |
| 529 | ••••ABPFA301 | - | A | 1 | |
| 531 | •••Cable, 5 pin micro to leads, right angle, MQDC1-515RA | ELEC-033880 | - | 1 | |
| 533 | •••FP2.1 VERTICAL SCALE MOUNT | MACH-039047 | A | 1 | |
| 535 | •FP 2-4 SELF TEST ORIFICES ASSEMBLY | ASSY-024401 | A | 1 | |
| 537 | ••FP 2-4 SELF TEST ORIFICE MOUNT | MACH-026267 | A | 1 | |
| 539 | ••Fitting, Bulkhead, #10-32, Brass, CLIPPARD 15027 | PNEX-020960 | A | 4 | |
| 541 | ••ORIFICE, FIXED, .007, #10-32, OKEEFE Q-7-BR | PNEU-035199 | A | 4 | |
| 543 | ••SCREW, SHCS, M6 X 12 LG, SS | HDWX-014082 | E | 2 | |
| 545 | •FP2.1 PROBE TOOLING - 2" STROKE | ASSY-038211 | A | 4 | |
| 547 | ••FP2.1 PROBE MOUNT | MACH-038222 | C | 1 | |
| 549 | ••FP 2-4 PROBE ARM STOP | MACH-026197 | A | 1 | |
| 551 | ••FLEX PITCH 2-4 PROBE SLIDE BLOCK | MACH-026198 | A | 1 | |
| 553 | ••LM LINEAR GUIDE BLOCK C1 LIGHT PRELOAD, THK SHS15C1SSC1 | MECH-033323 | A | 2 | |
| 555 | ••TIMING BELT CLAMP (ALTER) | MECH-010107 | A | 1 | |
| 557 | ••SCREW, FHCS, M5 X 16 LG, SS | HDWX-013351 | A | 4 | |
| 559 | ••SCREW, SHCS, M6 X 16 LG, SS | HDWX-006953 | A | 2 | |
| 561 | | HDWX-006727 | - | 1 | |
| 563 | ••FP 2-4 PROBE SIDE STOP, 2.00 INCH LONG | MACH-035039 | A | 1 | |
| 565 | •••SCREW, SET, SOC, M6 X 25 LG, BO | HDWX-013780 | - | 1 | |
| 567 | ••FP CYL ASSY, 1-1/16 X 1, W/ TRANSDUCER | ASSY-023451 | A | 1 | |
| 569 | •••CYLINDER, SINGLE ACTING, BUMPER, MAGNETIC, 1.06 BORE X 1 STROKE, AMER 1062SNS-1.00-4-32 | PNEU-010421 | E | 1 | |
| 571 | •••NUT, HEX, JAM, 5/8-18, PL | HDWX-013080 | C | 1 | |
| 573 | •••NUT, HEX, JAM, 5/16-24, PL | HDWX-013078 | C | 1 | |
| 575 | •••FITTING, UNION, 1/4 TUBE, LEGRIS 3106-56-00 | PNEX-021048 | F | 1 | |
| 577 | ••PROBE ASSEMBLY LARGE PORT 5/16-24 TAP | ASSY-024825 | D | 1 | |
| 579 | •••PROBE STEM LARGE PORT 5/16-24 | MECH-010112 | C | 1 | |
| 581 | •••PROBE RETAINER WASHER | MECH-010695 | D | 1 | |
| 583 | •••RING, RETAINING - INTERNAL INVERTED 3/4", ROTORCLIP HOI-75 | MECX-017912 | D | 1 | |
| 585 | ••PROBE ASSY LARGE PORT FOR 431417 | ASSY-025036 | C | 1 | |
| 587 | •••PROBE SEAL HOLDER TILTING FOR 431417 | MECH-010697 | B | 1 | |
| 589 | •••SEAL SIL RUB 2-1/4OD 40 DURO 5/16THK | SEAL-010182 | C | 1 | |

FLEX PITCH 4-HEAD 10"-PITCH LRG FR ASSY

| ITEM | DESCRIPTION | PART NO. | REV | QTY | INFO |
|------|--|---------------|-----|-----|------|
| 591 | •••O-RING QUAD 0.57ODX0.36IDX. 103 31957954 O-RING,QUAD,110 | PNEX-021408 | C | 1 | |
| 593 | •FLEX PITCH 2-4.10 LEG ASSY - RANGE 36"-41" | ASSY-024248 | A | 2 | |
| 595 | ••LEG ASSY WELDMENT | MECH-031763 | A | 1 | |
| 597 | •••LEG BRACE A | MECH-031763-A | A | 1 | |
| 599 | •••BRACE PLATE B | MECH-031763-B | A | 2 | |
| 601 | •••GUSSET D | MECH-031763-D | A | 4 | |
| 603 | ••LEVELER, ARTICULATING, 1-1/4"-7 THREADED, REXNORD 10309408 | MECH-035125 | A | 2 | |
| 605 | ••CASTER, SWIVEL, ESD, 4 X 1-1/4, APEX CCAPEX-ESD-425S- TL | MECH-015081 | A | 2 | |
| 607 | ••NUT, HEX, 1-1/4-7, STL | HDWX-033405 | | 4 | |
| 609 | | HDWX-035172 | | 8 | |
| 611 | •FP 2-4 PROBE SIDE STOP, 2.00 INCH LONG | MACH-035039 | A | 3 | |
| 613 | ••SCREW, SET, SOC, M6 X 25 LG, BO | HDWX-013780 | - | 1 | |
| 615 | •FP 2-4.10 Cable Carrier A | ASSY-036484 | A | 1 | |
| 617 | ••Echain, IGUS 1400-025-048-0, EA=FEET | MECH-015424 | A | 24 | |
| 619 | ••Separator, IGUS 14011, 20 Per Unit Installed 1 Every Other Link | MECH-017232 | A | 12 | |
| 621 | ••FP2.1 CAT TRACK MOUNT A | MACH-038213 | A | 1 | |
| 623 | ••SCREW, FHCS, M6 X 12 LG, SS | HDWX-013353 | A | 4 | |
| 625 | •FP 2-4.10 Cable Carrier B | ASSY-036485 | A | 1 | |
| 627 | ••Echain, IGUS 1400-025-048-0, EA=FEET | MECH-015424 | A | 30 | |
| 629 | ••Separator, IGUS 14011, 20 Per Unit Installed 1 Every Other Link | MECH-017232 | A | 15 | |
| 631 | ••FP2.1 CAT TRACK MOUNT B | MACH-038215 | A | 1 | |
| 633 | ••SCREW, FHCS, M6 X 12 LG, SS | HDWX-013353 | A | 4 | |
| 635 | •FP 2-4.10 Cable Carrier C | ASSY-036486 | A | 1 | |
| 637 | ••Echain, IGUS 1400-025-048-0, EA=FEET | MECH-015424 | A | 37 | |
| 639 | ••Separator, IGUS 14011, 20 Per Unit Installed 1 Every Other Link | MECH-017232 | A | 19 | |
| 641 | ••FP2.1 CAT TRACK MOUNT C | MACH-038220 | A | 1 | |
| 643 | ••SCREW, FHCS, M6 X 12 LG, SS | HDWX-013353 | A | 4 | |
| 645 | •FP 2-4.10 Cable Carrier D | ASSY-036487 | A | 1 | |
| 647 | ••Echain, IGUS 1400-025-048-0, EA=FEET | MECH-015424 | A | 44 | |
| 649 | ••Separator, IGUS 14011, 20 Per Unit Installed 1 Every Other Link | MECH-017232 | A | 22 | |
| 651 | ••FP2.1 CAT TRACK MOUNT D | MACH-038221 | A | 1 | |
| 653 | ••SCREW, FHCS, M6 X 12 LG, SS | HDWX-013353 | A | 4 | |
| 655 | •FP SERVO DRIVE ASSY | ASSY-038223 | A | 4 | |
| 657 | ••OMRON SERVO MOTOR MOUNT | MACH-038229 | A | 1 | |
| 659 | ••COUPLER,RULAND,MJCC-16-A,ALU M HUB 16mm w/5mm KEYWAY | MECH-038254 | A | 2 | |

FLEX PITCH 4-HEAD 10"-PITCH LRG FR ASSY

| ITEM | DESCRIPTION | PART NO. | REV | QTY | INFO |
|------|---|-------------|-----|-----|------|
| 661 | ••MOTOR, OMRON R88M-1M40030T-S 2, SERVO, AC, 400WATT, 200VAC, WITH ENCODER | ELEC-038057 | A | 1 | |
| 663 | ••GEARBOX, APEX DYNAMICS #PEII070-007 / OMRON R88M-1M40030T PLANETARY GEARBOX, 7:1 RATIO | MECH-039551 | A | 1 | |
| 665 | ••SCREW, SHCS, M8 X 25 LG, SS | HDWX-006739 | A | 2 | |
| 667 | ••SCREW, SHCS, M5 X 25 LG, SS | HDWX-014077 | A | 4 | |
| 669 | ••CIRCUIT BREAKER, 3-PHASE, 6 AMPS, CLASS-D, UL489, LSIS, BK63HU 3P D6 10KA 480/277 UL489 | ELEC-036009 | A | 1 | |
| 671 | ••DRIVE, OMRON R88D-1SN04H-ECT , AC SERVO DRIVES 400 WATT 200VAC SINGLE/3 PHASE WITH ETHERCAT | ELEC-038056 | A | 1 | |
| 673 | •FP2.1 MANUAL LIFT SHAFT ASSY | ASSY-038191 | B | 1 | |
| 675 | ••RS 2-4 LIFT CRANK HANDLE SHAFT | MACH-034310 | B | 1 | |
| 677 | ••124mm hand wheel w/ folding handle mod. | MACH-034910 | B | 1 | |
| 679 | ••ABPFA301 | - | A | 2 | |
| 681 | ••PIN, SLOTTED SPRING, 1/8" X 1-1/4" LG, SS | MECX-017897 | B | 1 | |
| 683 | ••PIN, DOWEL, 1/8 DIA X 1/4 LG, SS | MECX-017895 | B | 2 | |
| 685 | ••PLUNGER, BALL-NOSE (NYLON), LCK ELEMENT, M5X0.8, STL | MECH-035170 | B | 1 | |
| 687 | ••FP2.1 HAND CRANK GUIDE BLOCK | MACH-038233 | B | 1 | |
| 689 | ••SCREW, SHCS, M4 X 20 LG, SS | HDWX-014062 | D | 4 | |
| 691 | •TOP ASSY TIMING BELT MOUNT (LG FRAME) | ASSY-040170 | A | 1 | |
| 693 | ••FP 2-4 10-PITCH UPPER TOOLING PLATE | MACH-027819 | A | 1 | |
| 695 | ••FP 2-4 HEX POST | MACH-028910 | A | 4 | |
| 697 | ••FP 2-4 TENSION SCREW MOUNT | MACH-027244 | B | 4 | |
| 699 | ••FP 2-4 10-PITCH UPPER DUST COVER | MACH-034955 | - | 1 | |
| 701 | ••SCREW, HEX, M8 X 50 LG, PL | HDWX-013028 | - | 4 | |
| 703 | | HDWX-006727 | - | 8 | |
| 705 | ••SCREW, SHCS, M8 X 25 LG, SS | HDWX-006739 | A | 13 | |
| 707 | ••NUT, HEX, JAM, M8, PL | HDWX-033404 | - | 4 | |
| 709 | ••SPACER,0.25" CLEARANCE,SC-LI NEAR | MECX-017985 | - | 10 | |
| 711 | ••SMC MAIFOLD ASSEMBLY | PNEU-038835 | A | 1 | |
| 713 | ••SCREW, FHCS, M6 X 12 LG, SS | HDWX-013353 | A | 11 | |
| 715 | •FP STD REAR GUARD PANELS - LRG ASSY | ASSY-039277 | A | 1 | |
| 717 | ••SCREW, BHCS, M8 X 16 LG, SS | HDWX-013251 | J | 30 | |
| 719 | ••WASHER, FENDER, M8, SS | HDWX-014248 | B | 10 | |
| 721 | ••FP 10-PITCH LOWER BACK PANEL | MACH-040207 | A | 2 | |
| 723 | ••FP 10-PITCH LOWER BACK MID PANEL | MACH-040208 | A | 1 | |
| 725 | ••FP 10-PITCH UPPER BACK PANEL | MACH-040209 | A | 2 | |
| 727 | •FP2.1 TUNNEL GUARDS 22" | ASSY-025875 | B | 1 | |

FLEX PITCH 4-HEAD 10"-PITCH LRG FR ASSY

| ITEM | DESCRIPTION | PART NO. | REV | QTY | INFO |
|------|--|---------------|-----|-----|------|
| 729 | ••WASHER, STD, M8, SS | HDWX-009485 | H | 8 | |
| 731 | ••SCREW, BHCS, M8 X 16 LG, SS | HDWX-013251 | J | 8 | |
| 733 | ••NUT, T-NUT, SINGLE DROP-IN, M8, 80/20 40-1986 | MECX-015584 | B | 8 | |
| 735 | •Wireway For Main Enclosure, Flex Pitch 2-4.10 | ASSY-035996 | - | 1 | |
| 737 | ••Conduit Profile U 60x60 SE, natural, ITEM 0.0.487.37 | ELEC-035997 | - | 2 | |
| 739 | ••Lid Profile D60 E, natural, ITEM 0.0.451.43 | ELEC-035998 | - | 2 | |
| 741 | •FP XL PITCH LEG ASSEMBLY 49"-61" RANGE | ASSY-040257 | - | 2 | |
| 743 | ••FP 6-PITCH LEG WELDMENT 36"-61" RANGE | MACH-040260 | - | 1 | |
| 745 | •••LEG BRACE A | MECH-031763-A | A | 1 | |
| 747 | •••BRACE PLATE B | MECH-031763-B | A | 2 | |
| 749 | •••GUSSET D | MECH-031763-D | A | 4 | |
| 751 | ••LEVELER, ARTICULATING, 1-1/4"-7 THREADED, REXNORD 10309408 | MECH-035125 | A | 2 | |
| 753 | ••CASTER, SWIVEL, ESD, 4 X 1-1/4, APEX CCAPEX-ESD-425S- TL | MECH-015081 | A | 2 | |
| 755 | ••NUT, HEX, 1-1/4-7, STL | HDWX-033405 | | 4 | |
| 757 | | HDWX-035172 | | 8 | |
| 1000 | | HDWX-014090-9 | | | |
| 1001 | | MECH-040295-1 | | | |
| 1002 | | HDWX-013366-4 | | | |
| 1005 | | HDWX-014090-8 | | | |
| 1006 | | MACH-038874-2 | | | |